

COOKERHOOD EXTRACT FANS

HIGH PERFORMANCE, STAINLESS STEEL COOKERHOOD.



BENEFITS

HIGH PERFORMANCE

424m³/hr extraction capacity through tangential motor.

EASE OF USE

Simple push button control to generate speed and lighting.

EASY CLEAN

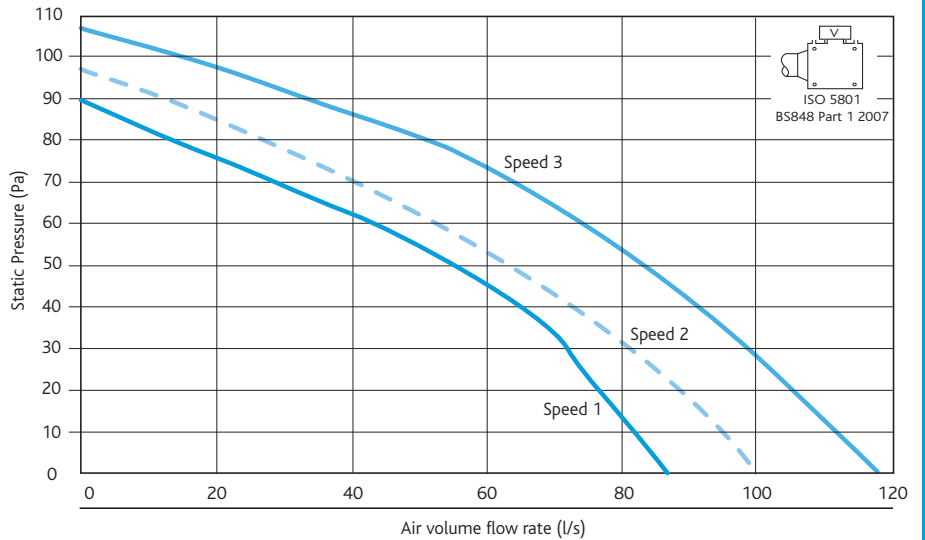
Stainless steel 600mm cookerhood and integral grease filters.

OPTIONAL EXTRA'S

2 x S1 carbon filters for air recirculation.

2 YEAR WARRANTY

Pressure Drop 07 - COOKERHOOD SS with lights on



SPECIFICATIONS

Casing shall be manufactured from easy to clean stainless steel.

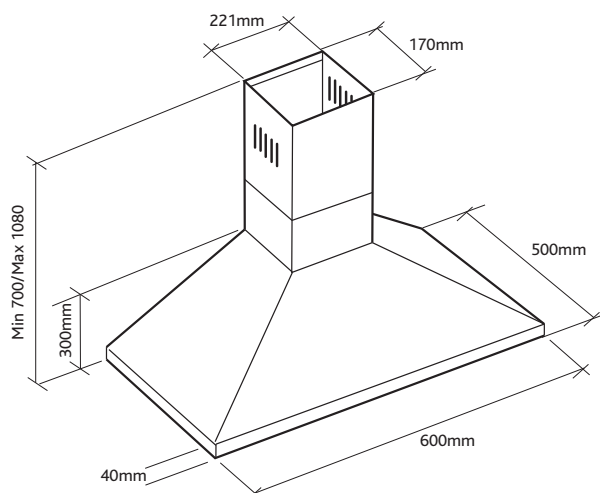
The unit is fitted with two, washable metallic grease filters for quick and easy maintenance.

The hood must be fitted in accordance with

the manufacturers instruction and maintenance manual (available from www.nuairegroup.com).

Note: the cooker hood will need to be sited a minimum of 650mm above the hob.

DIMENSIONS (MM)



Code description COOKERHOODC-SS

