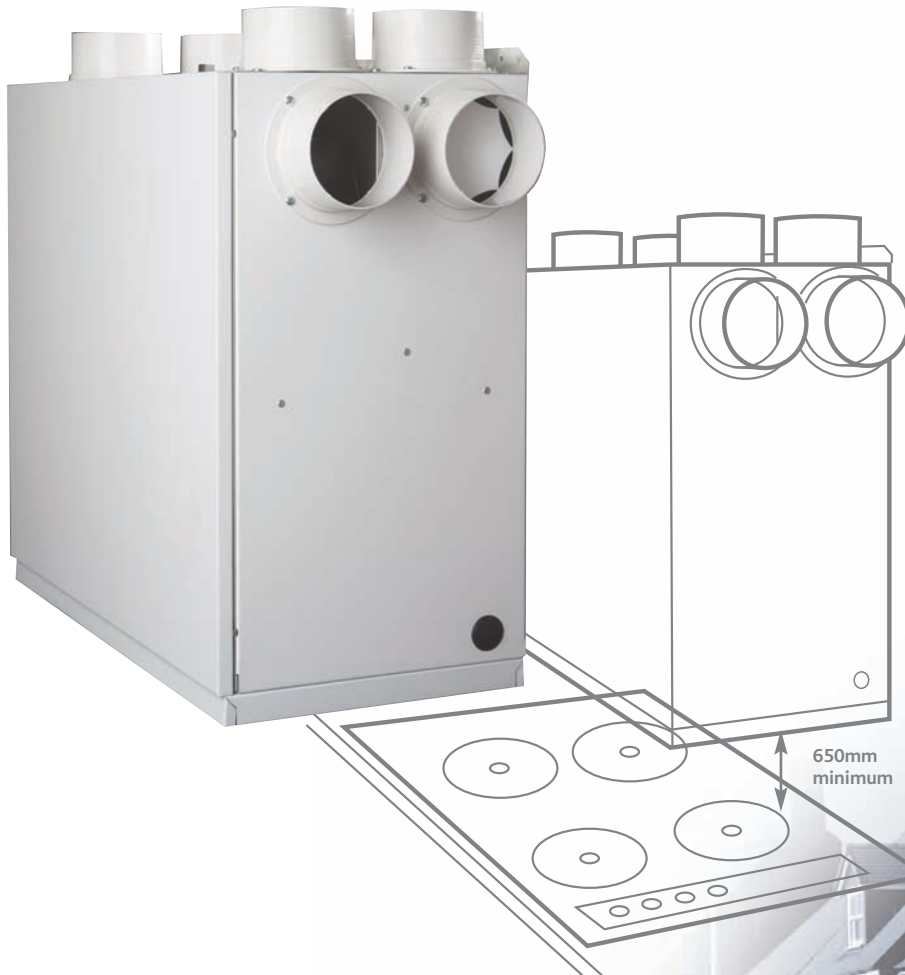


COOKERXBOX - KITCHEN CANOPY HEAT RECOVERY SYSTEM

SPACE SAVING ABOVE COOKER HEAT RECOVERY UNIT WITH
INTEGRAL AUTOMATIC BOOST.



BENEFITS

SLIM LINE PROFILE

Designed to sit behind cupboard door.

HEAT RECOVERY

From 66% effective. Recovers heat when cooking, supplying warm air into dwelling avoiding condensation.

MEETS REGULATIONS

New build 'best practice' rating in GPG 268.

FLEXIBLE SPEED CONTROL

4 speed settings with automatic boost facility (thermostat senses air temp and boosts when required).

FLEXIBLE INSTALLATION

Connections are either from the sides or top. Side connections are used to enable the ducting to run across the top of kitchen wall units.

QUICK & EASY MAINTENANCE

Front and underneath panels allows for quick access to condensate drain and electrical supply, with washable grease filters.

FINISH

White pre-coated steel finish with white ABS spigot connections.

ADVICE AND INSTALLATION SERVICE

Please contact Nuaire on 02920 858 200 (or email drawings@nuaire.co.uk) for advice on ventilation solutions and installation service.

WARRANTY

5 year warranty for peace of mind.

TYPICAL INSTALLATION

The diagram illustrates the typical installation of the Nuaire MVHR Cookerbox. It shows a cross-section of the kitchen wall and ceiling. Air supply to the home is shown entering from the left. Extract air from the bathroom en-suite is shown entering from the bottom left. The main extract flow is shown above the hob, passing through a grease filter. Exhaust air is shown exiting to the outside through a duct on the right. Supply air from outside is shown entering through a duct on the right, passing through a filter, and then being distributed to the room.

Alternative spigot position.

A photograph showing the Nuaire MVHR Cookerbox installed in a kitchen. The unit is white and is positioned behind a wooden cupboard door. The kitchen features wooden cabinets and a black countertop with a stove. The unit is designed to sit behind the cupboard door.

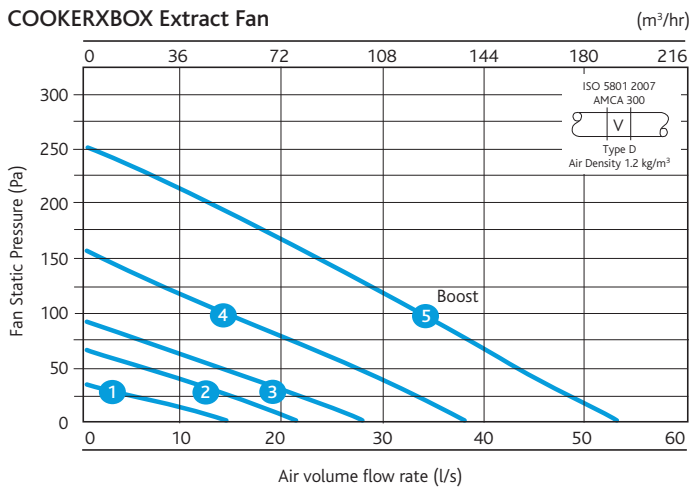
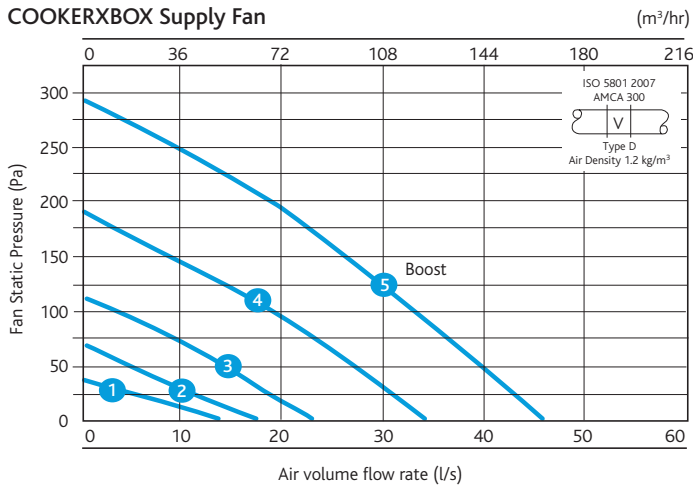
Designed to sit behind the cupboard door.

Download specification from www.nuaire.co.uk/specifications

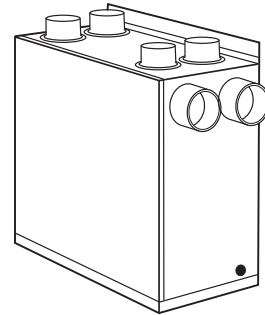
nuaire.co.uk

69

PERFORMANCE - COOKERXBOX



Casing



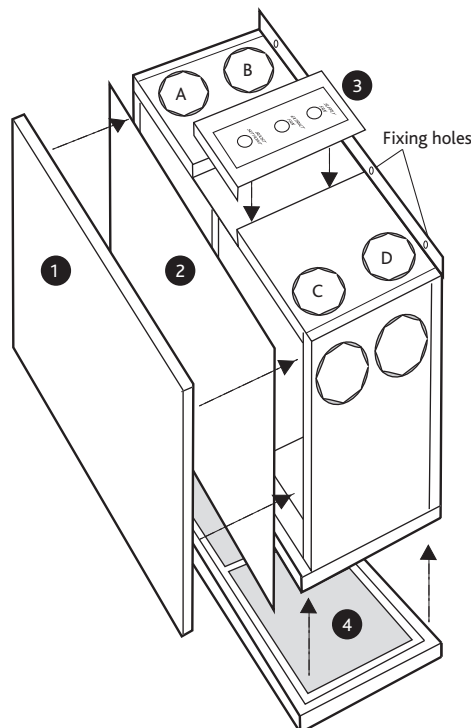
Code

CKR XBOX

Access panels

In order to make connections for the condensate drain and electrical supply the access panels shown should be removed, starting with No.1. All panels should be stored safely to avoid damage.

- A = Supply air to house.
- B = Extract air from bathroom/ensuite.
- C = Exhaust air to outside.
- D = Supply air from outside.



COOKERXBOX

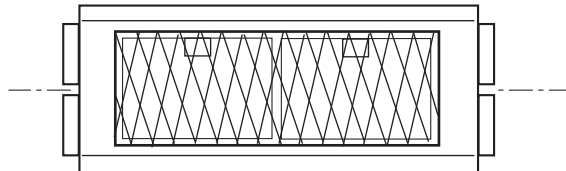
ELECTRICAL, SOUND & WEIGHT

Extract Fan Curve	Code	Phase	Motor power kW	Full load* current amps		Induct Sound Power Levels dB re 1pW								Breakout dBA @3m	Weight Kg
						63	125	250	500	1K	2K	4K	8K		
5	ckrXbox	1	60	0.260	Boost open inlet	58	60	62	53	47	45	40	30	39	20
4			34	0.140	Speed 4 open inlet	52	54	55	46	40	38	29	26	31	
3			24	0.105	Speed 3 open inlet	49	51	43	40	34	30	24	25	24	
2			18	0.080	Speed 2 open inlet	48	51	39	35	30	25	22	20	21	
1			12	0.060	Speed 1 open inlet	44	45	37	32	27	23	22	20	18	
Supply Fan															
5	ckrXbox	1	60	0.260	Boost open outlet	51	63	71	66	65	61	54	44	52	
4			37	0.140	Speed 4 open outlet	48	52	64	61	59	54	45	36	46	
3			24	0.105	Speed 3 open outlet	44	50	53	54	53	47	35	28	39	
2			18	0.080	Speed 2 open outlet	38	39	41	41	39	27	22	20	25	
1			12	0.060	Speed 1 open outlet	38	39	37	32	27	23	22	20	17	

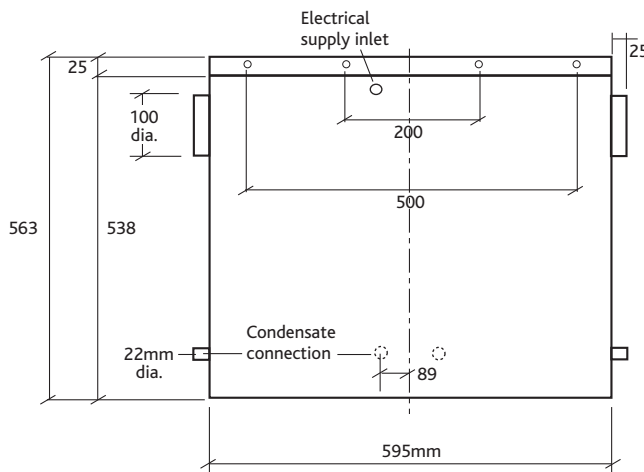
Note: Part L1 compliance: Specific Fan Power (SFP) will be less than 2.0 for typical system resistances (estimated at 75Pa for boost condition), at default speeds (1 and 3). Minimum heat exchanger efficiency at all settings is 66%.
 *Unit has a soft start function therefore the starting current is same as flc.

DIMENSIONS (MM) COOKERXBOX

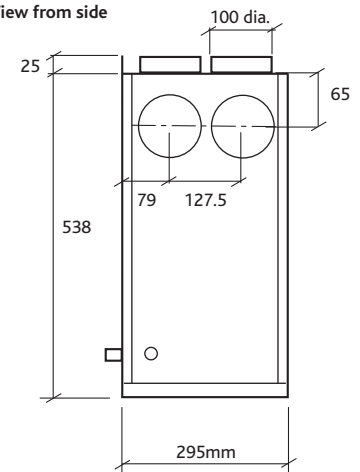
View from bottom



View from front



View from side



DUCTING CONNECTIONS

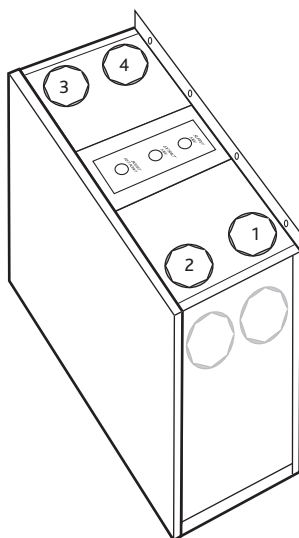
There are four ducting connections to be made from the sides of the unit. The four ducting positions on the top of the unit can be employed for other installation options.

- 1) Fresh air input to unit (100mm dia).
- 2) Exhaust air to outside (100mm dia).
- 3) Fresh air supply to dwelling (100mm dia). This duct should terminate via a discharge diffuser located centrally within the dwelling.
- 4) Extract air from bathroom/en-suite (100mm dia).

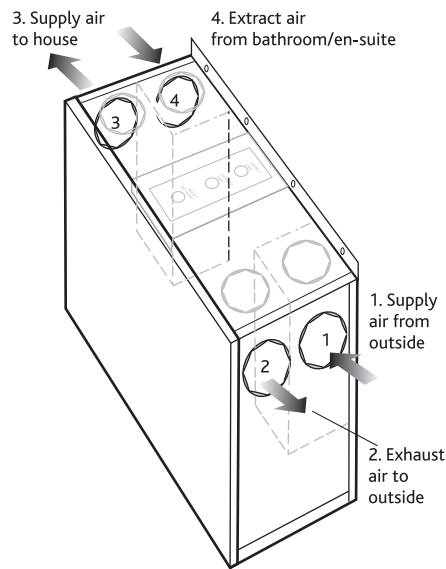
Note: the distance between the underside of the unit and the supporting surface for the cooking vessel must be at least 650mm.

TOP SPIGOT FUNCTIONS

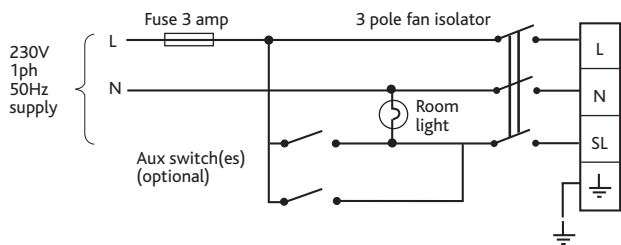
For optional installation choice. The numbered spigots perform the same function as the equivalent numbered side spigots.



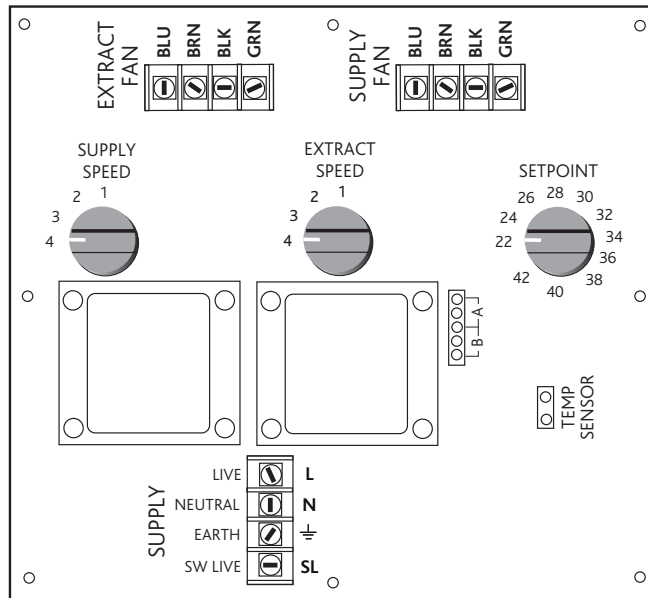
SIDE SPIGOT FUNCTIONS



WIRING - COOKERXBOX



Circuit board connections.



Operation

The unit is designed to continuously supply and extract air. The unit contains a thermostat to sense the extract air temperature. When the temperature exceeds the boost set point the extract fan boosts to full speed. Boost speed may also be activated by remote switch/es. Ensure that supply/extract motor wires are swapped over if opposite hand is required.

Boost Fan/s Selection

By default only the extract fan boosts to full speed. To change this to boost the supply fan as well as the extract fan, move link to position B.



Fan Speeds

Unless onsite conditions dictate otherwise both supply and extract fans should be set on the lowest setting.

Boost Set Point

Boost should be triggered whilst cooking. It is suggested the set point should be set to 32°C although this may need changing depending on the user lifestyle.

Connecting Auxillary Switches

It is possible to provide additional control of the unit by means of up to two auxillary switches connected to the switched live. These switches may be operated manually or by additional Thermostats, Humidistats and PIR Detectors.

CONSULTANTS SPECIFICATION

OPERATION

Whole home ventilation unit with heat recovery for homes without a loft.

COOKERXBOX - UNIT SPECIFICATION

The casing shall be manufactured from easy to clean pre-coated galvanised steel.

A washable flame retardant supply air filter of G3 grade shall be fitted which may be accessed behind the grease filters. The unit shall incorporate two backward curved centrifugal impeller fans for continuous central input and demand activated multiple extract from 'wet' areas.

The fans shall be driven directly by high efficiency AC motors with a maximum power consumption of 60 watts each.

The unit shall incorporate an easily removable, washable plate heat exchanger manufactured in flame retardant aluminium. The heat exchanger shall be arranged to remove heat from the extract airflow and to transfer it to the input airflow whilst permitting no mixing.

Up to 66% of the available heat may be recovered.

The unit shall incorporate an integral grille with washable grease filters and may be configured for general kitchen extract or for above hob application.

The unit input fan volume control setting shall be adjustable via an integral 4 position switch and shall typically provide 14-33l/s continuously with the facility to boost, if required to 47l/s with the extract boost.

The unit extract fan shall operate continuously at a low background rate, typically 15-37l/s, set via an integral 4 position switch, boosting to high duty extract of approximately 47l/s when integral sensor detects available heat in the extract air stream. Alternatively, high duty extract may be via a separate switch (not supplied).

The standard warranty for cookerXbox shall be for 5 years.