



MRXBOX95-WH1

Whole House Heat Recovery Solution



A compact high duty, wall MVHR unit with low specific fan power (SFP) on SAP.

Designed for the medium to large new build & three storey properties. This whole house mechanical ventilation heat recovery system combines supply and extract in one unit.

Tempered air is delivered into "living areas" whilst extracting moisture laden air from "wet" areas thus creating a comfortable living environment.

Ultra quiet and efficient ventilation

Using the latest technology of low watt DC fans providing extremely quiet running and long life motors. DC fans will also reduce power consumption, operating costs and the life cycle costs.

Helping you meet Code for Sustainable Homes level 3 or above

SAP Appendix Q

Application	Specific Fan Power(W/l/s)	Heat Exchange Efficiency	Energy Saving Trust Best Practice Performance Compliant
Kitchen + 1 Wet Room	0.41	91%	Yes
Kitchen + 2 Wet Rooms	0.40	91%	Yes
Kitchen + 3 Wet Rooms	0.46	90%	Yes
Kitchen + 4 Wet Rooms	0.53	90%	Yes
Kitchen + 5 Wet Rooms	0.62	89%	Yes
Kitchen + 6 Wet Rooms	0.72	88%	Yes
Kitchen + 7 Wet Rooms	0.83	87%	Yes



Why **MRXBOX95-WH1** is ideal

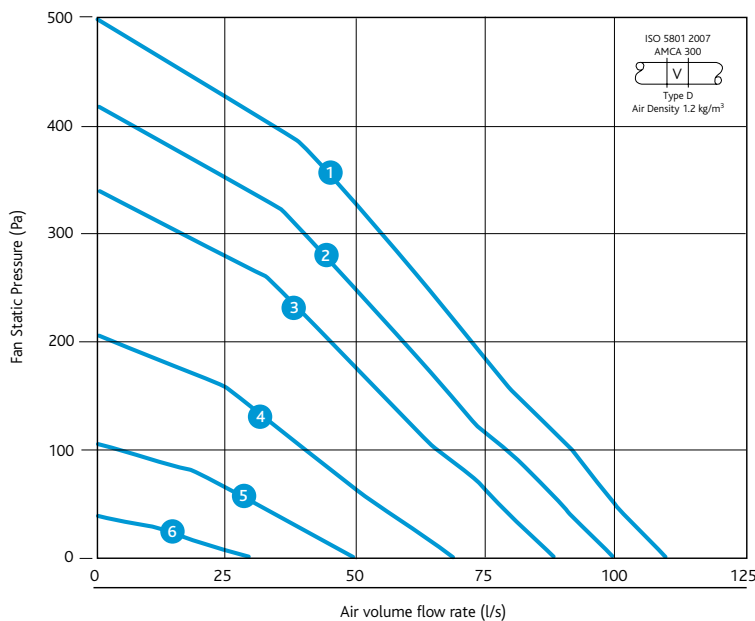
for you:

- Code 3 or above through SAP Q eligible products
- Part F & L Building regulations compliant
- Compact, lightweight and easy to install
- Fan controls designed for quick & easy commissioning
- Free of charge code advisory service – taking the stress out of specifying
- Full design & supply solution package
- Easy accessible filters from front cover – no tools required
- 5 year warranty – peace of mind
- Constant quiet running fans – ensure occupant acceptability
- No trickle vents – overcome draught issues, reduces noise from outside
- Discreet daily run monitor
- Integral frost protection

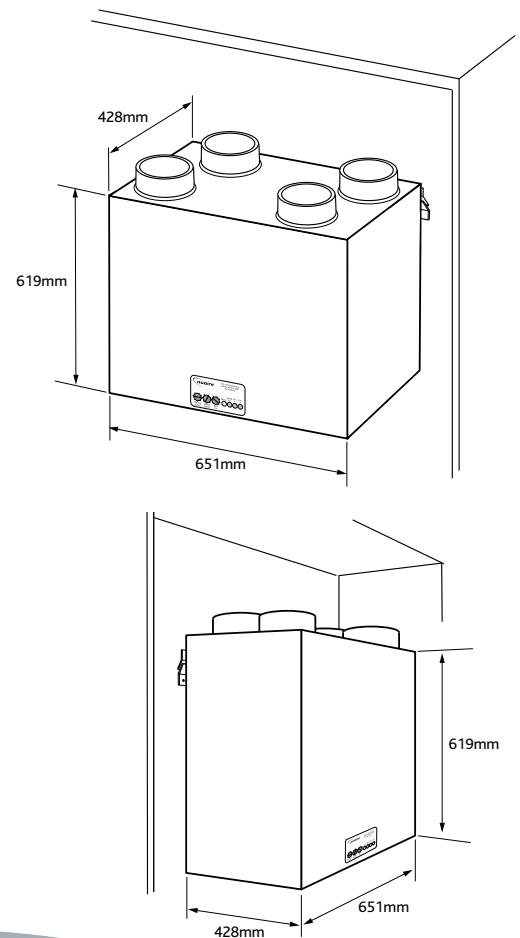
for your tenants/occupants:

- Improves indoor air quality creating a healthier environment
- Prevents condensation by keeping moisture levels low
- Significant energy savings with very low running costs
- Fit and forget for trouble free use
- No trickle vents – overcome draught issues, reduces noise from outside
- No need to open windows for added security
- Simple “user guides” supplied

MRXBOX95-WH1 Performance



Dimensions



For more information please contact:

Nuaire
Western Industrial Estate
Caerphilly CF83 1NA
United Kingdom

Nuaire tel: 0844 5830044
Or visit www.nuaire.co.uk/residential